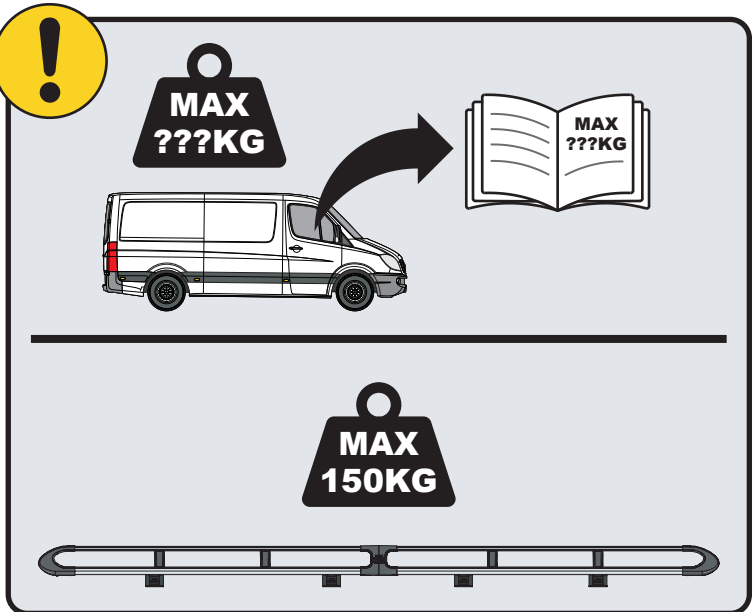
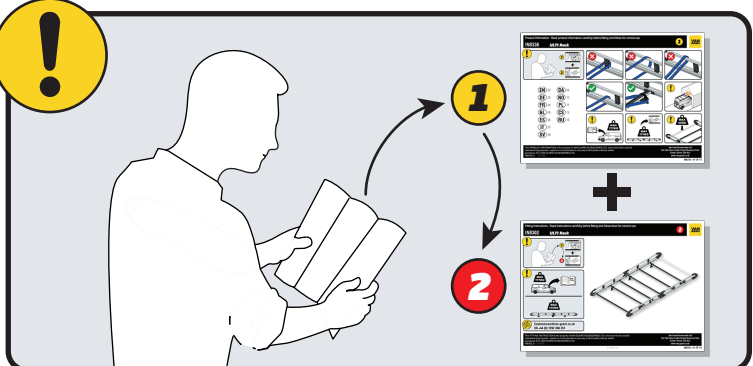


**IN8309**

**ULTI Rack+**



 **Customercare@van-guard.co.uk**  
**UK +44 (0) 1392 368 351**



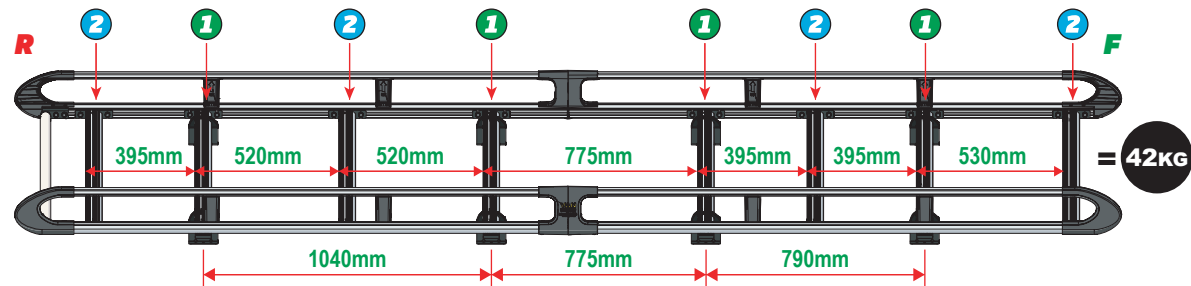
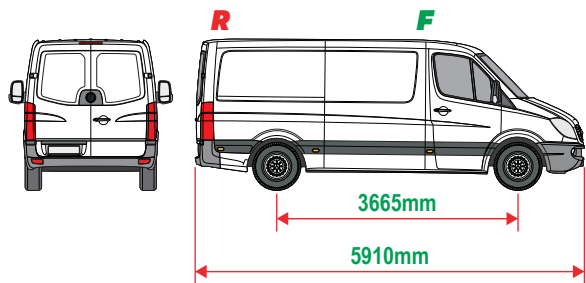
This FITTING INSTRUCTION is the property of VAN GUARD ACCESSORIES LTD. and must not be used for manufacturing purposes, copied nor communicated in any way to third parties without written permission from VAN GUARD ACCESSORIES LTD.  
IN8309\_B (CN:00356)

Van Guard Accessories Ltd  
Fair Oak Close, Exeter Airport Business Park,  
Exeter, Devon, EX5 2UL  
[www.van-guard.co.uk](http://www.van-guard.co.uk)

**THIS INSTRUCTION COVERS THE FOLLOWING MODELS - CHECK YOU ARE FITTING THE CORRECT MODEL BEFORE PROCEEDING**

**VGUR-238**

Mercedes Sprinter: 2006 on  
 Volkswagen Crafter: 2007-2017  
 L2H1 (MWB)  
 Twin Rear Doors



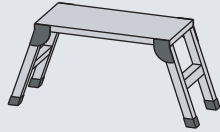
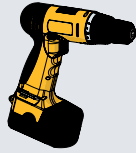
**SUPPLIED COMPONENTS - CHECK ALL PARTS ARE PRESENT AND CORRECT BEFORE PROCEEDING (1 OF 2)**

**TOOLS REQUIRED**

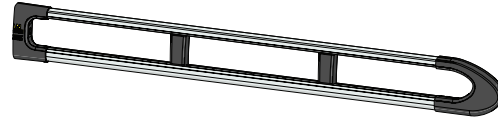
**10MM X1**



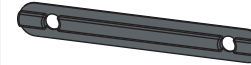
**13MM X1**



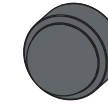
**AS3549 X2**  
(3800 / A)



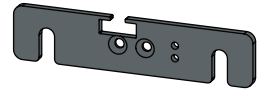
**MA6118 X16**



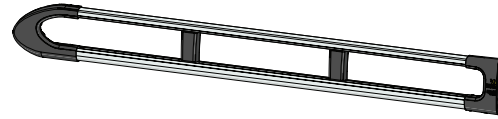
**FX4241 X36**



**ME1622 X4**



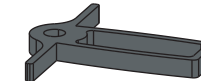
**AS3548 X2**  
(3800 / B)



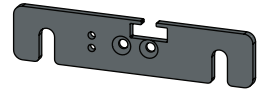
**FX4008 X1**



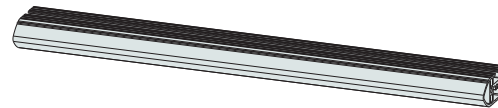
**MA6145 X1**



**ME1623 X4**



**ME1628 X8**  
(1554mm)



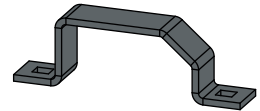
**FX4001 X2**  
(M8X40)



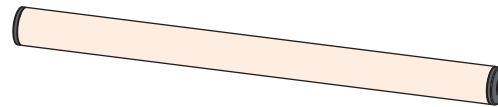
**FX4235 X32**  
(M5X25)



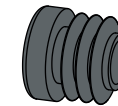
**ME0203 X8**



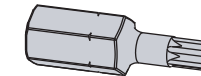
**AS3160 X1**  
(1540mm)



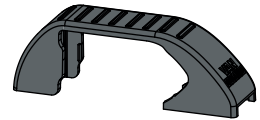
**MA6007 X4**



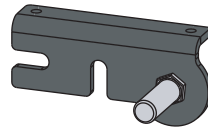
**FX4248 X1**  
(T25)



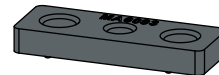
**MA6065 X8**



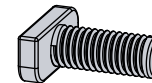
**AS3590 X1**



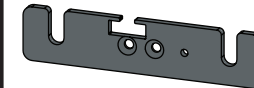
**MA6093 X16**



**FX4239 X36**  
(M8X20)



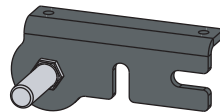
**ME1620 X4**



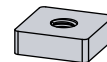
**FX4016 X24**  
(M6)



**AS3591 X1**



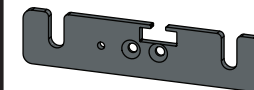
**ME0316 X16**



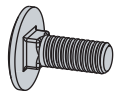
**FX4240 X36**  
(M8)



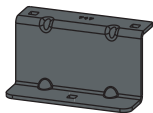
**ME1621 X4**



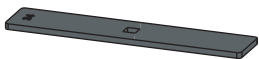
**FX4042 X16**  
(M6X16)



**ME0717 X8**



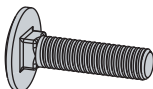
**ME0034 X8**



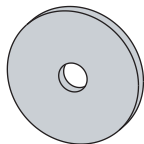
**FX4014 X8**



**FX4022 X8**  
(M6X25)



**FX4023 X8**

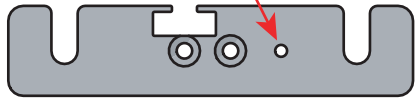


**MA6018 X8**



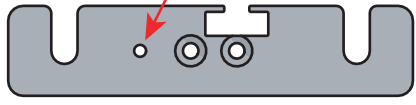
**01**

**1L**



**X4**

**1R**



**X4**

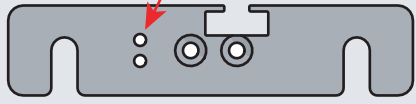


**2L**



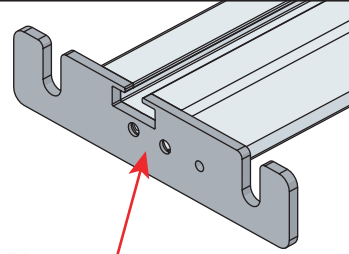
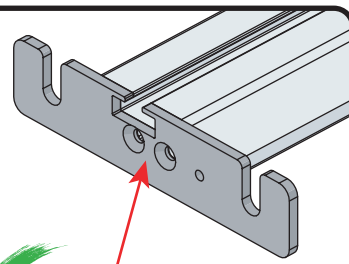
**X4**

**2R**



**X4**

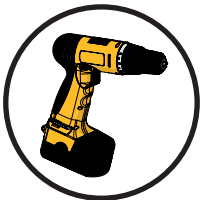
**02**



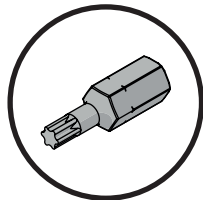
**03**

**01**

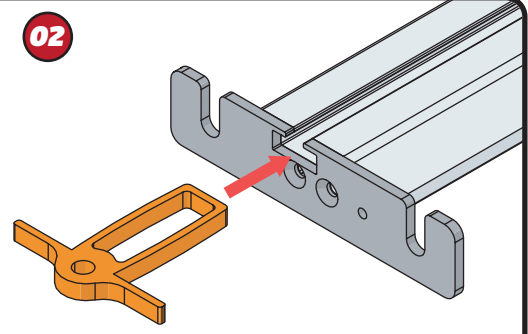
**FX4248**



**+**



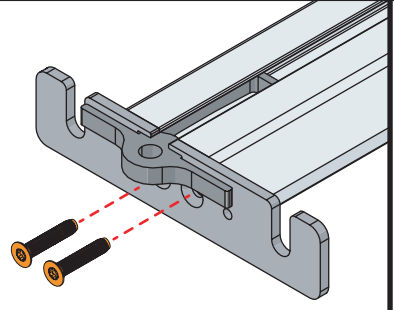
**02**



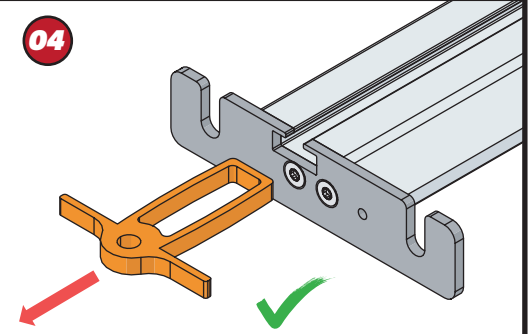
**03**



**11Nm**



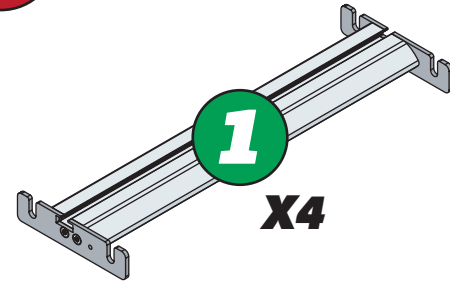
**04**



**04**

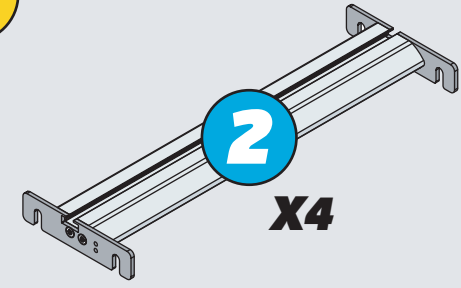


**1**

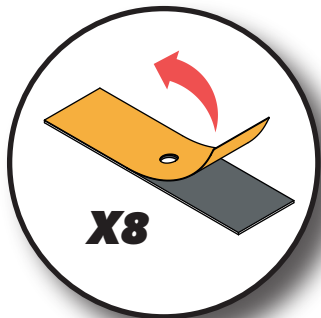
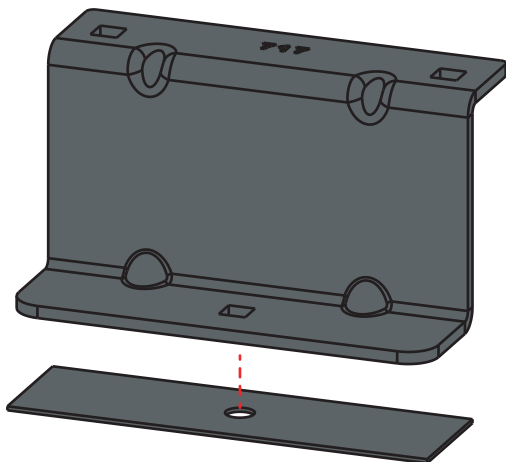


**X4**

**2**

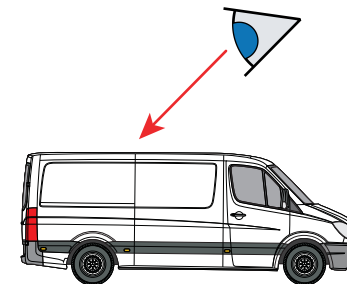


**X4**

**05****X8**

EN - STICK GASKETS TO ALL BRACKETS  
 DE - KLEBEN SIE DIE DICHTUNG AN ALLEN HALTERUNGEN  
 FR - COUSSINETS ADHÉSIFS À TOUS LES SUPPORTS  
 NL - PLAK PAKKING OP ALLE BEUGELS  
 ES - PEGA LAS ALMOHADILLAS A TODOS LOS SOPORTES  
 IT - ADESIVI GUARNIZIONI A TUTTE LE STAFFE

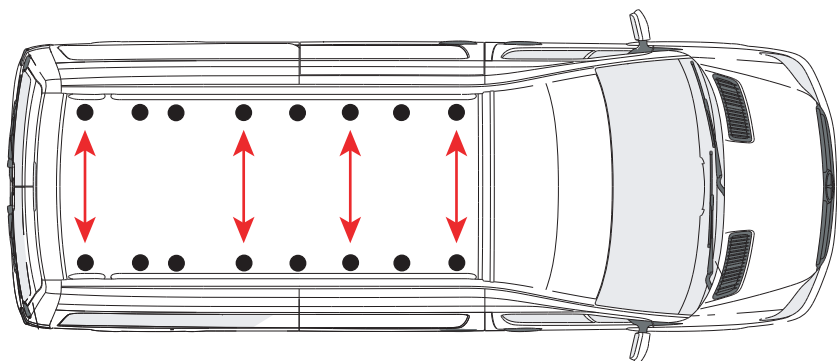
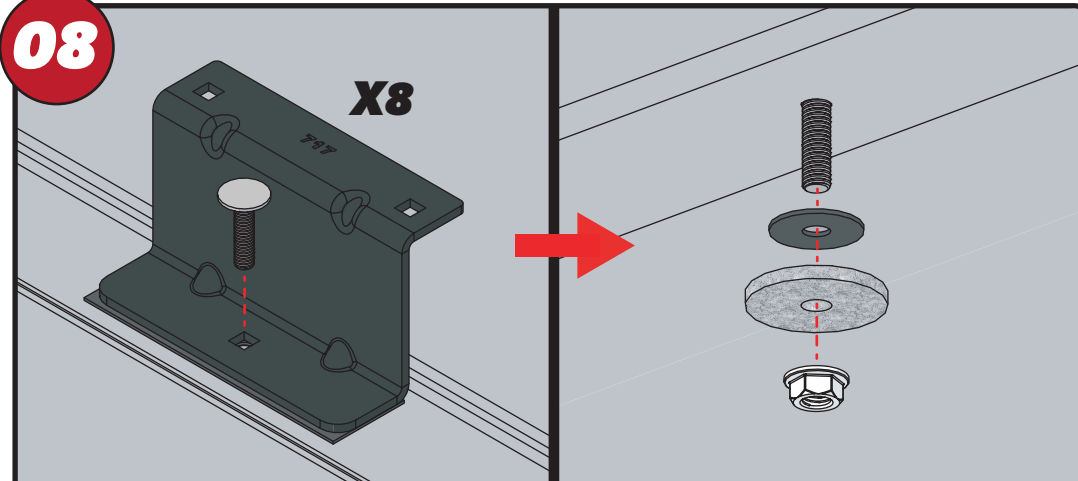
SV - FÄST GUMMI PÅ ALLA FÄSTEN  
 DA - KLÆB GUMMI PÅ ALLE BESLAG  
 NO - PLIST GUMMI PÅ ALLE BRAKKETER  
 PL - NAKLEJ USZCZELKI DO WSZYSTKICH WSPORNIKÓW  
 CS - PŘILEPTE TĚSNĚNÍ NA VŠECHNY DRŽÁKY

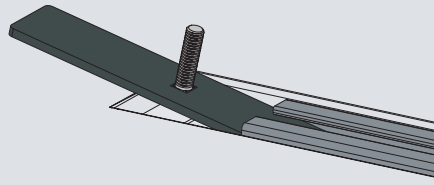
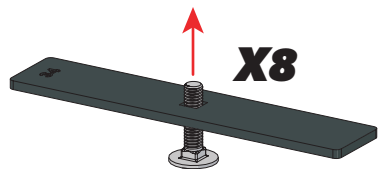
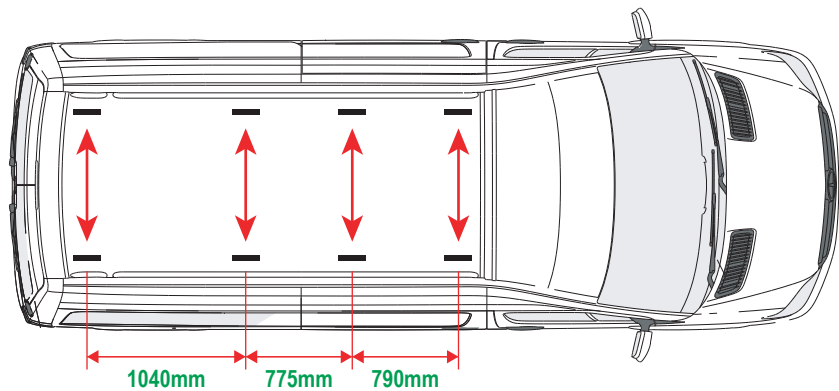
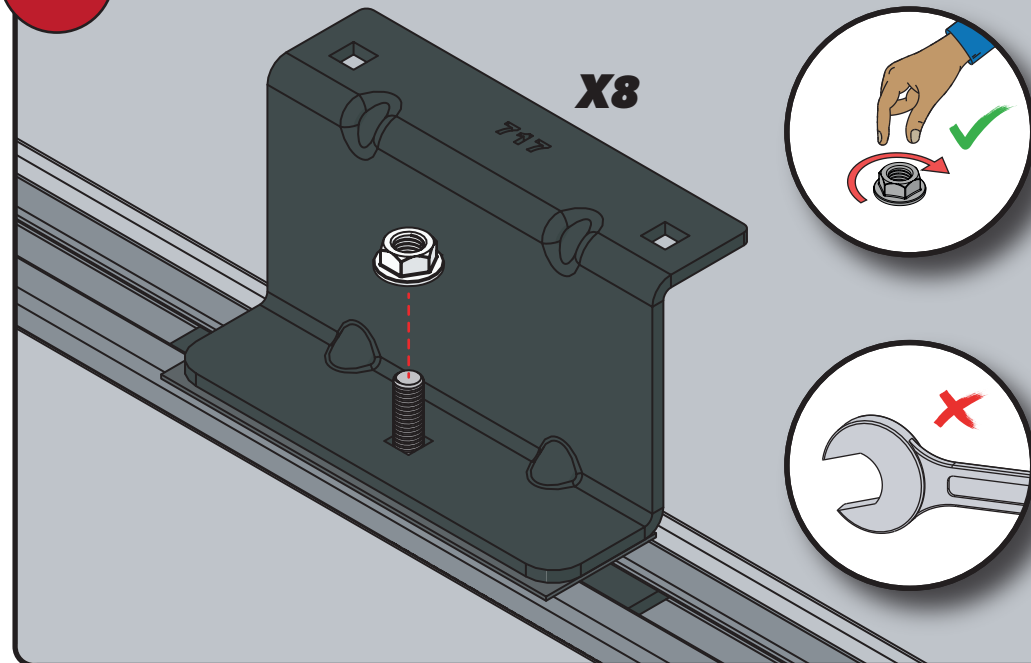
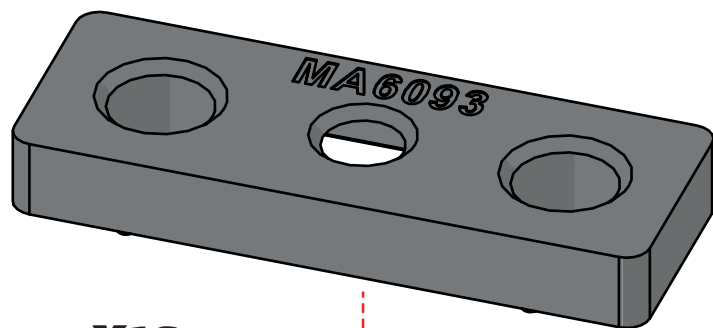
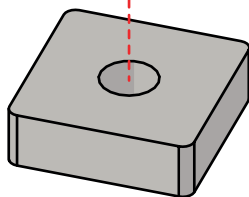
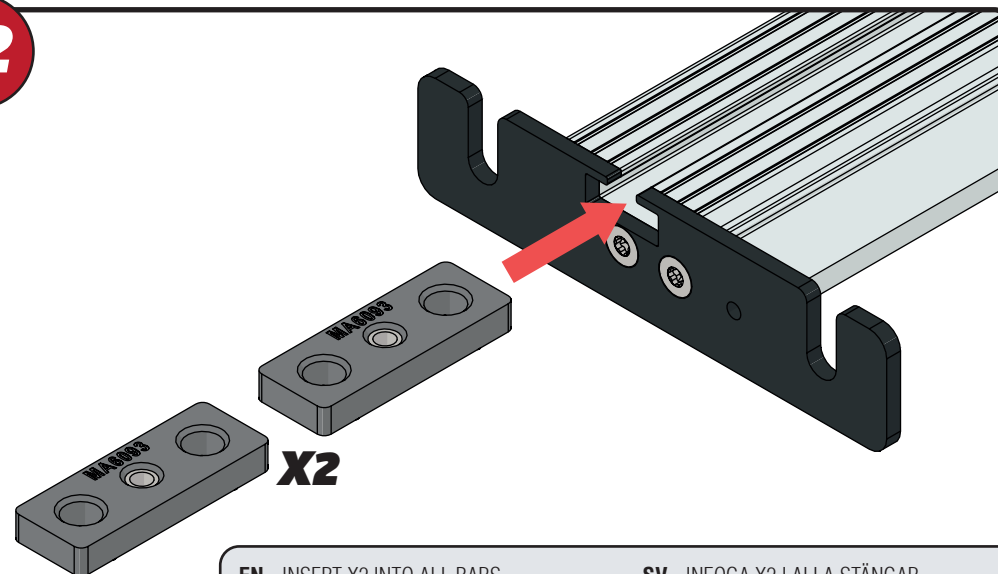
**06**

ROOF PLUGS

**07 08**

ROOF PREPERATION KIT (T-TRACK)

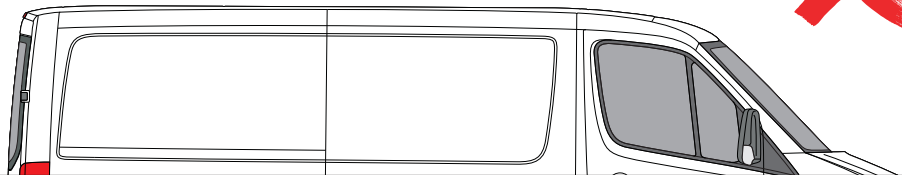
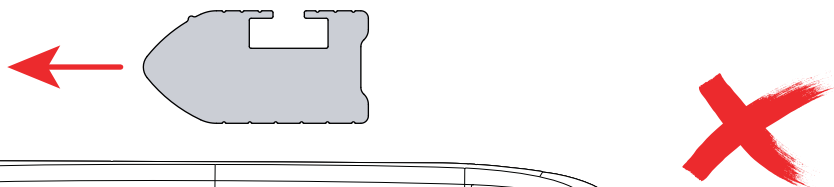
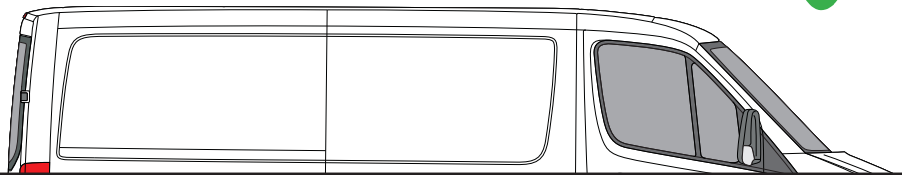
**09 10****07****X8****08****X8**

**09****10****11****X16****12**

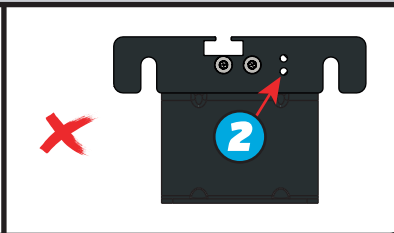
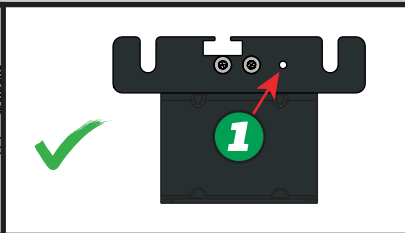
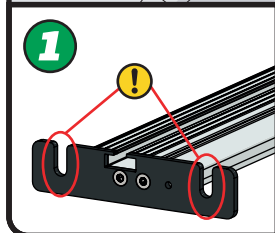
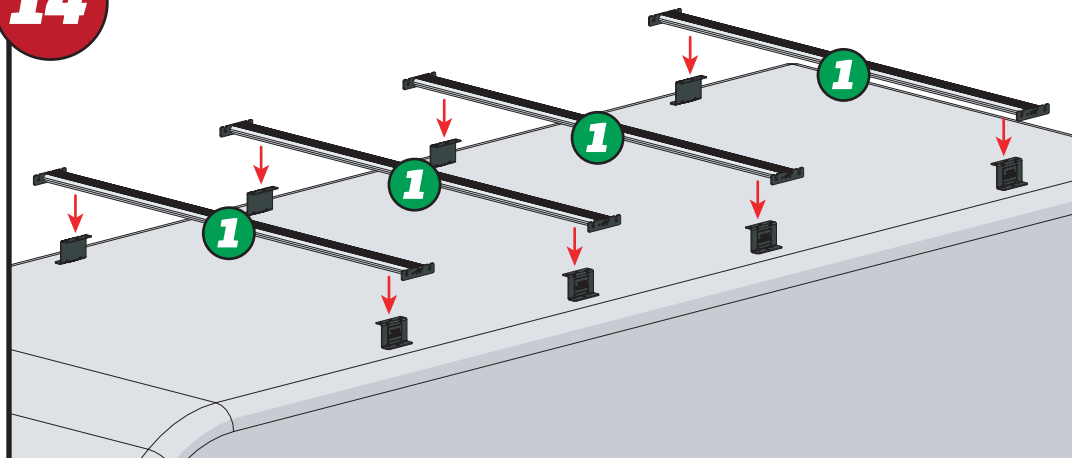
EN - INSERT X2 INTO ALL BARS  
 DE - X2 IN ALLE STANGEN EINFÜGEN  
 FR - INSÉRER X2 DANS TOUTES LES BARRES  
 NL - PLAATS X2 IN ALLE BARS  
 ES - INSERTAR X2 EN TODAS LAS BARRAS  
 IT - INSERIRE X2 IN TUTTE LE BARRE

SV - INFOGA X2 I ALLA STÄNGAR  
 DA - INDSÆT X2 I ALLE STÆNGER  
 NO - SETT X2 INN I ALLE TAKSTENGER  
 PL - WSTAW X2 DO WSZYSTKICH PRĘTÓW  
 CS - VLOŽTE X2 DO VŠECH TYČÍ

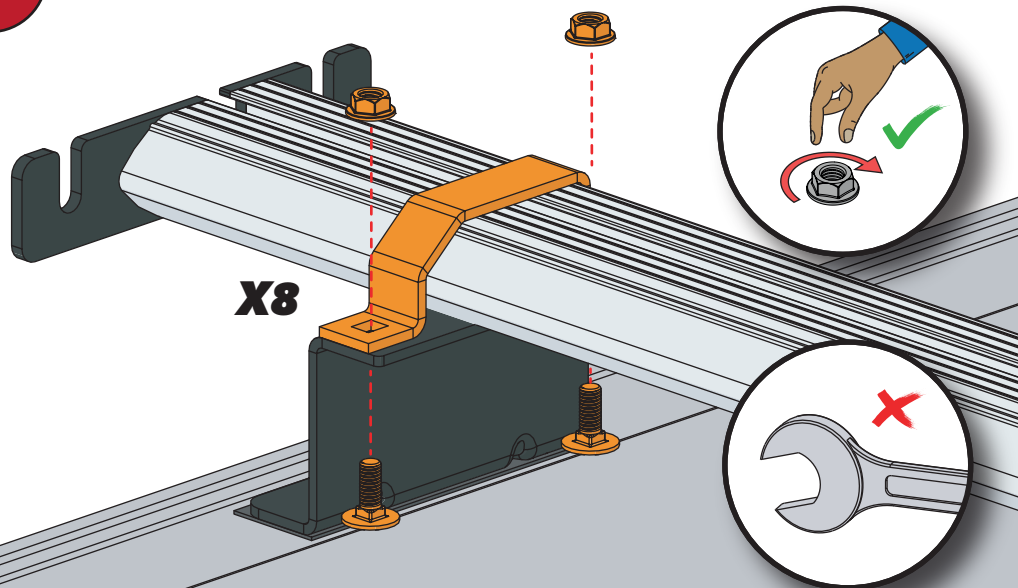
13



14

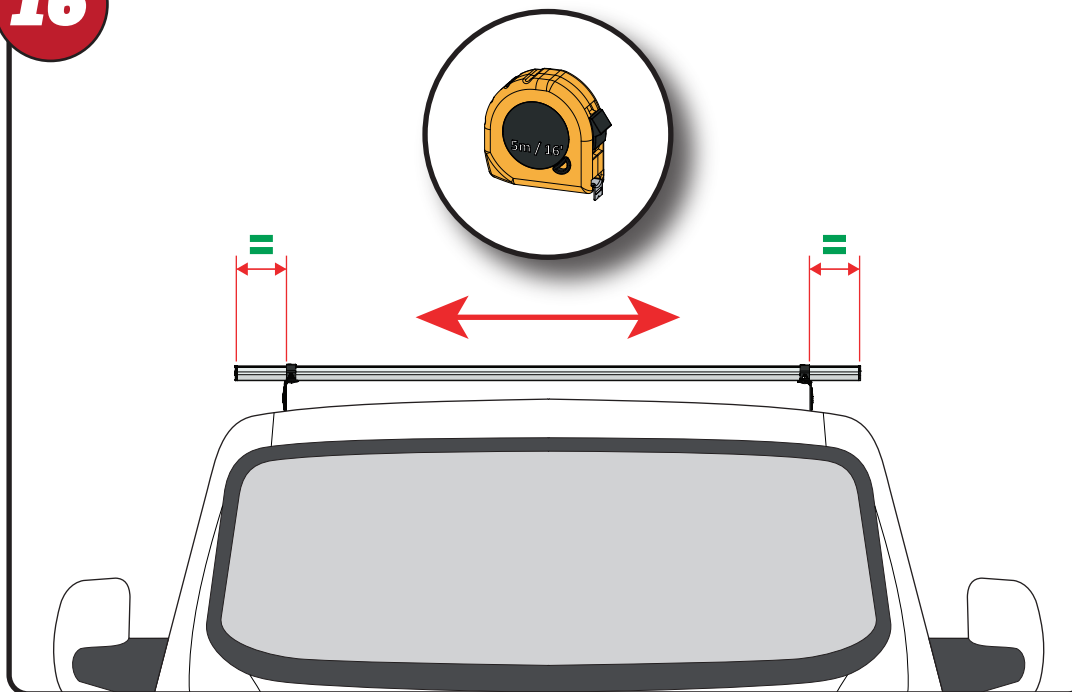


15



X8

16

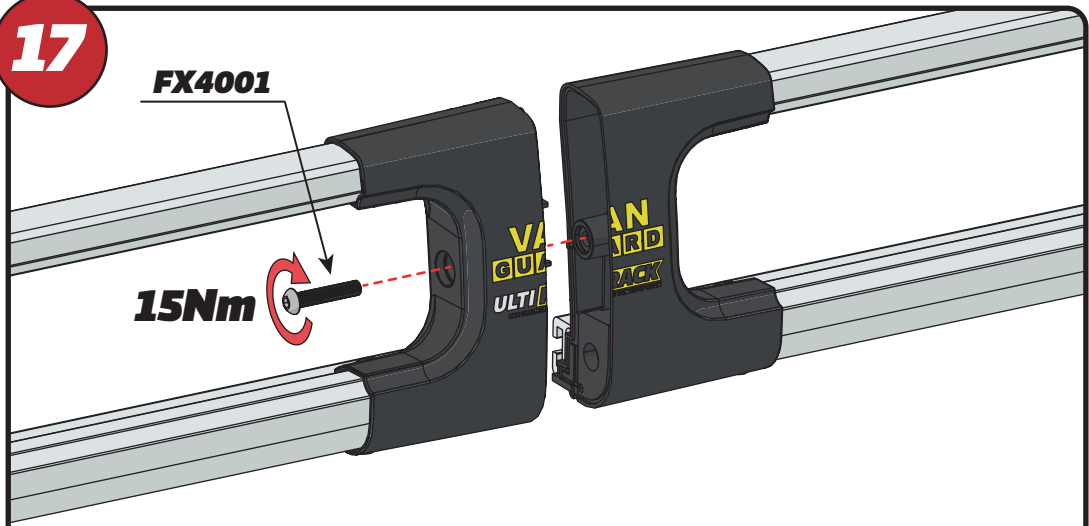




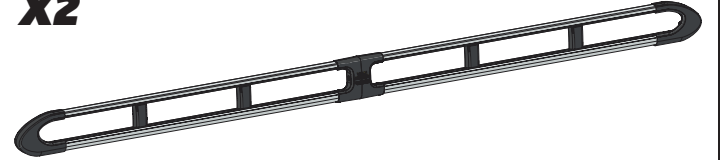
17

FX4001

15Nm



X2

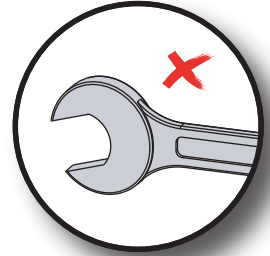
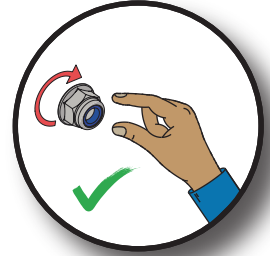
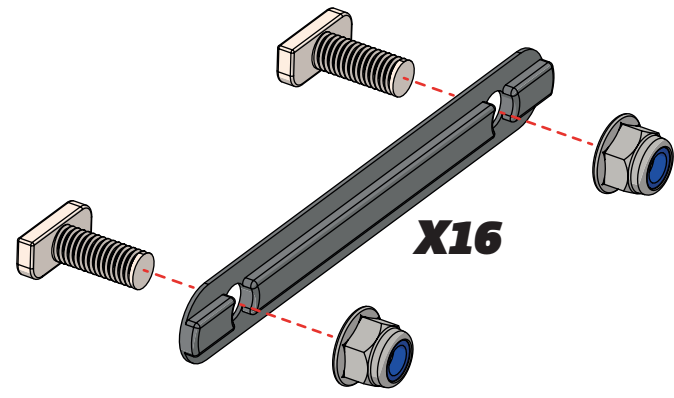


FX4008



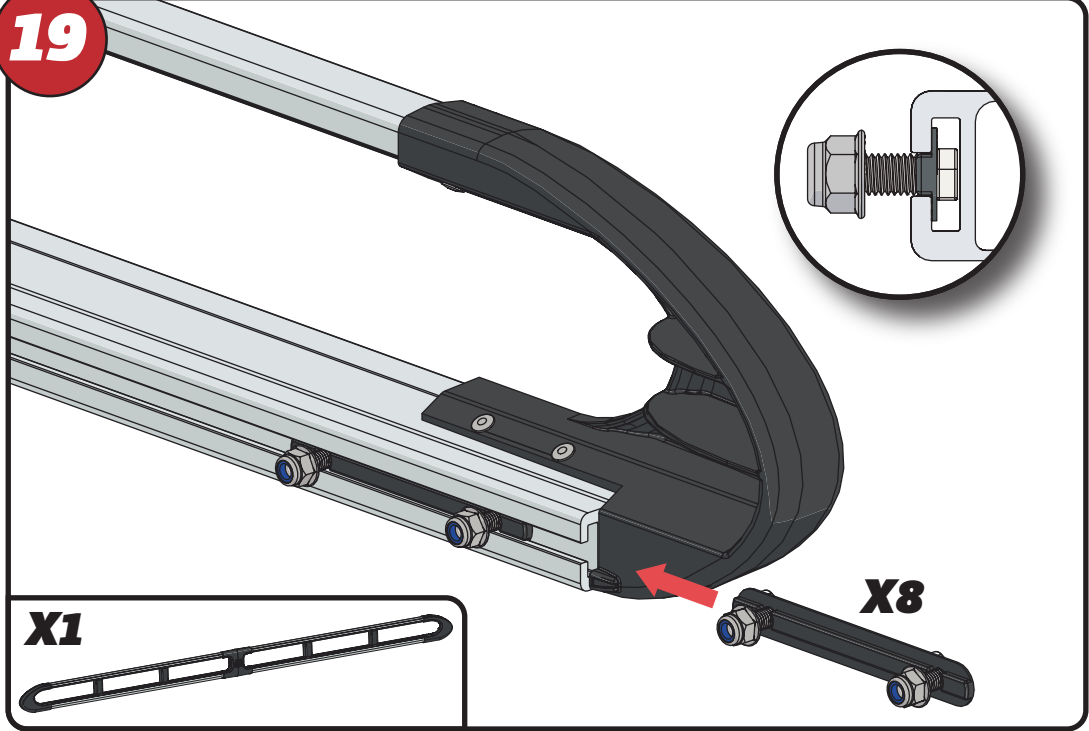
18

X16



19

X8



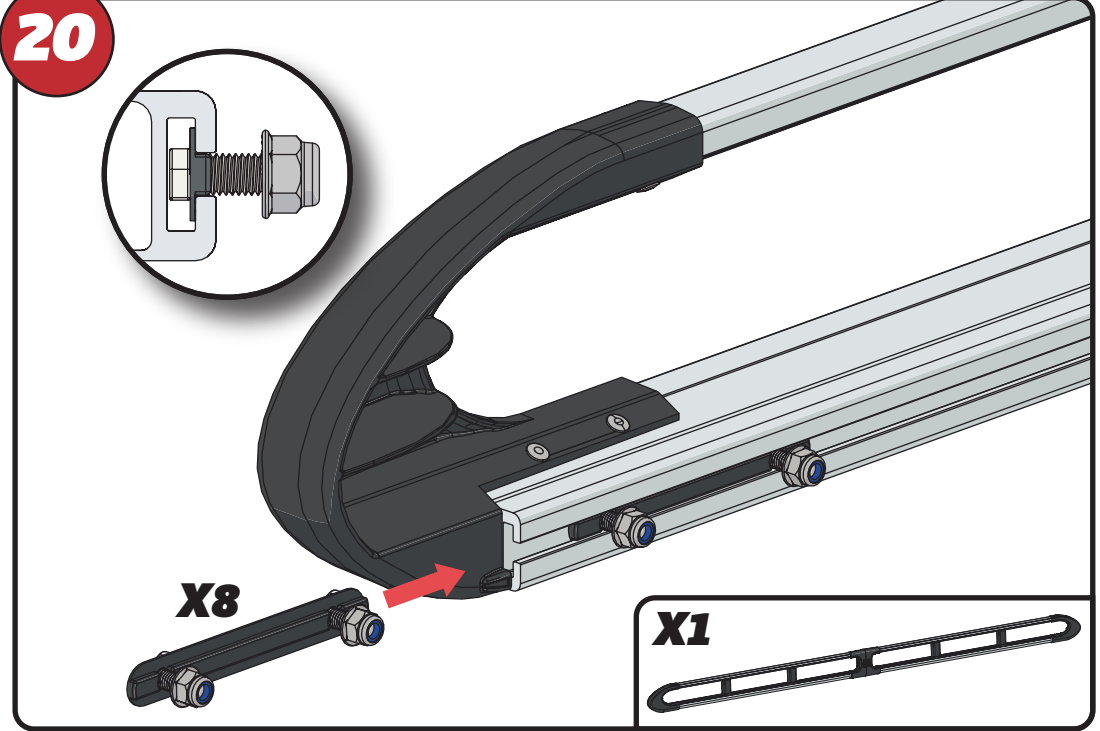
X1



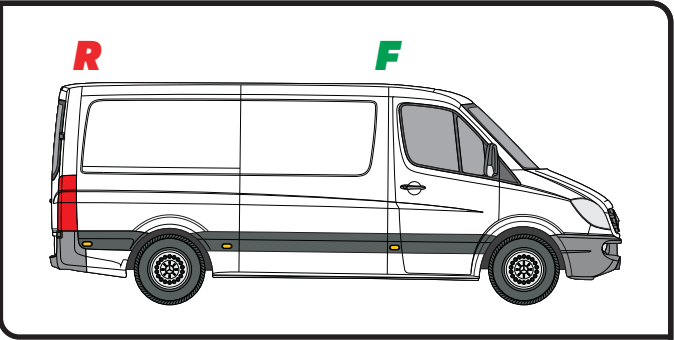
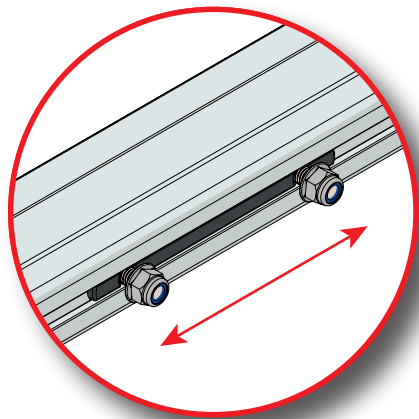
20

X8

X1

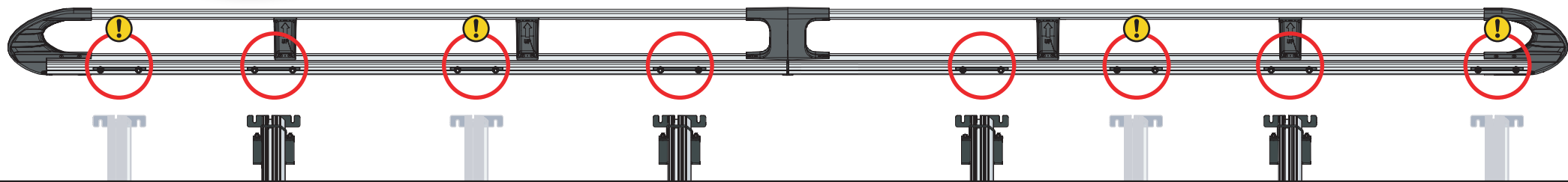


21

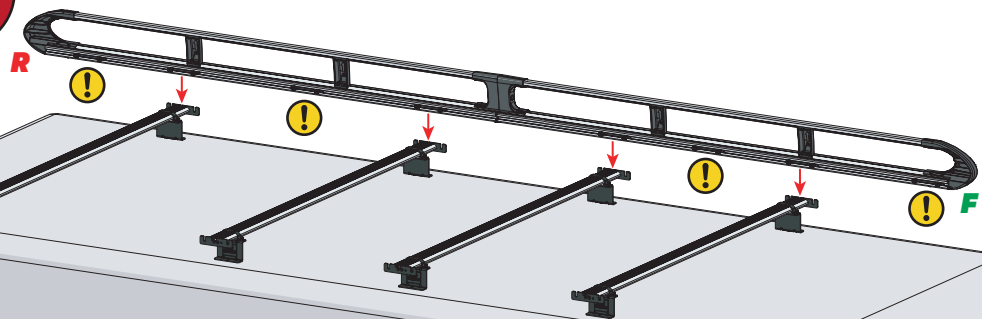


R

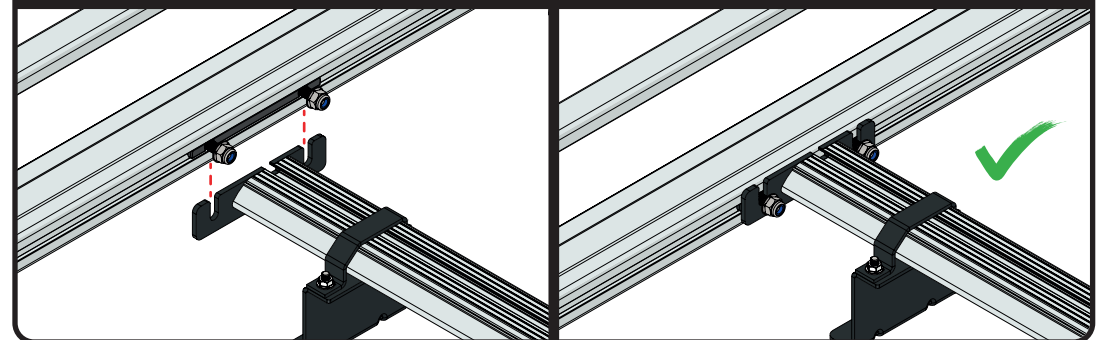
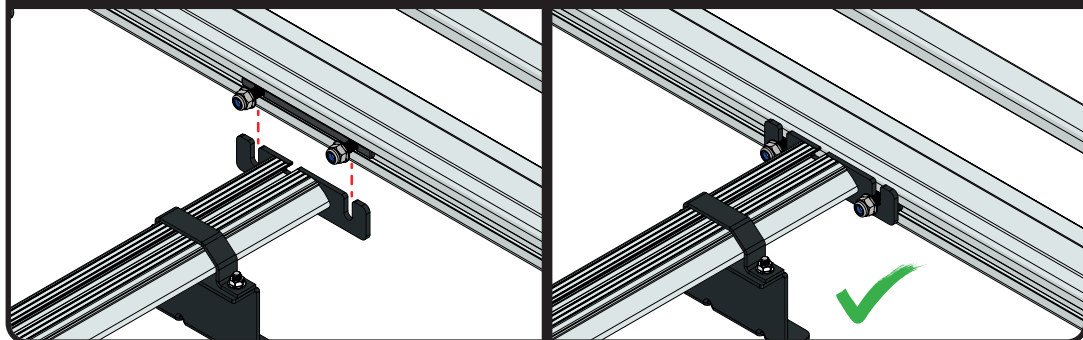
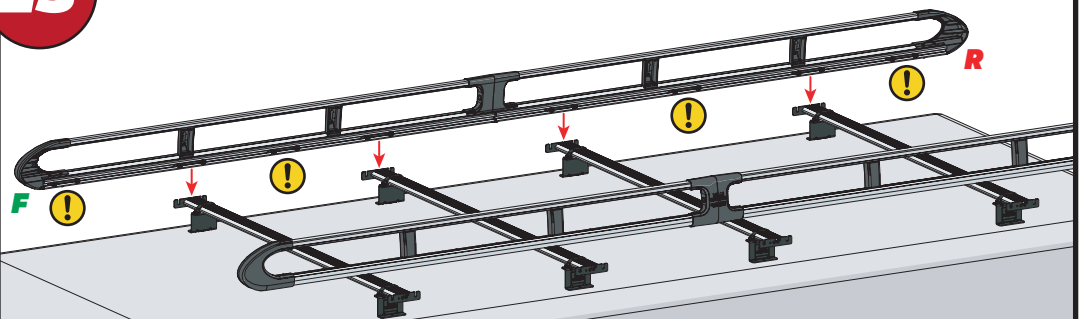
F



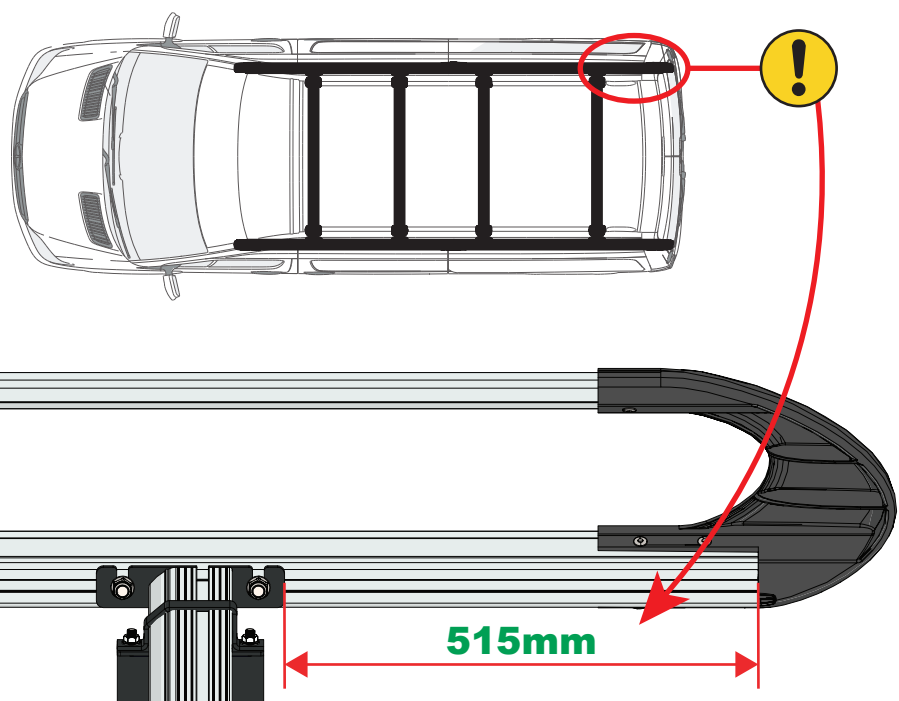
22



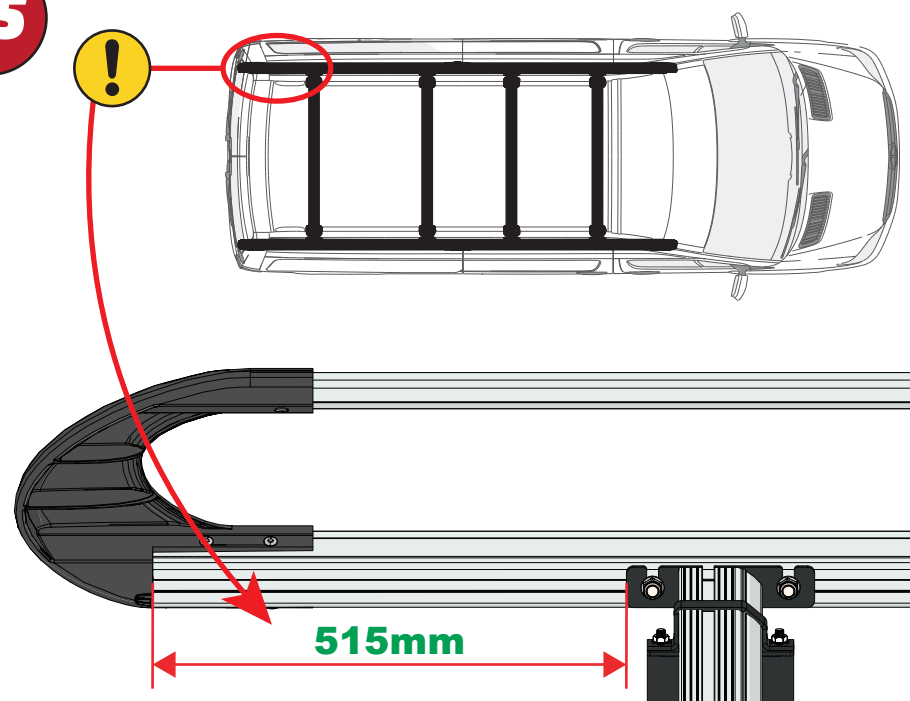
23



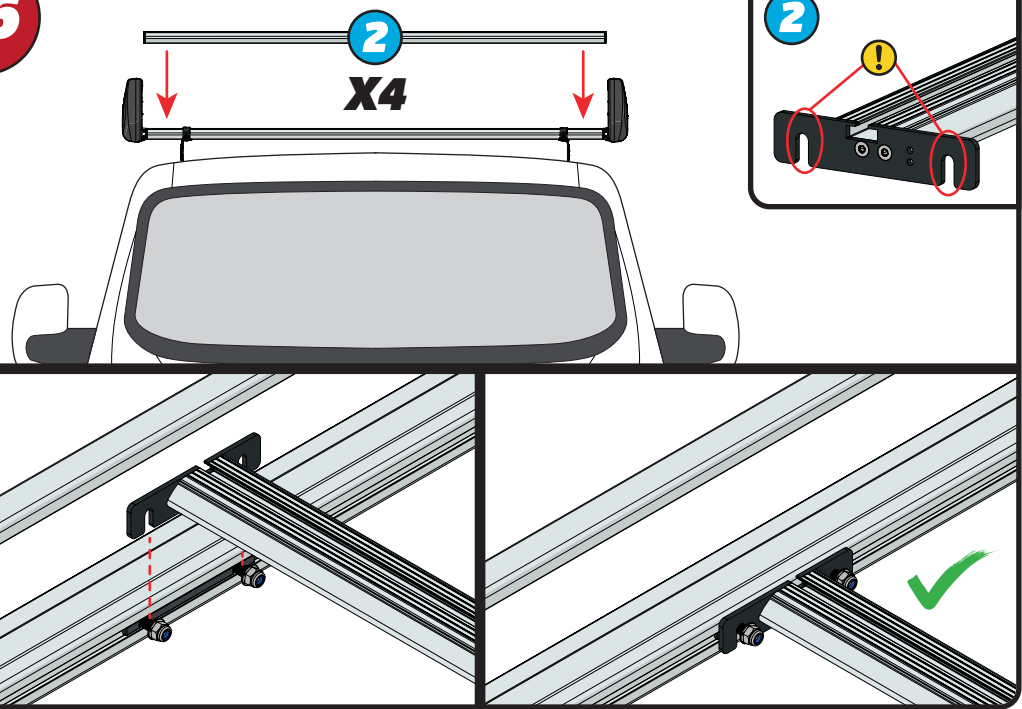
24



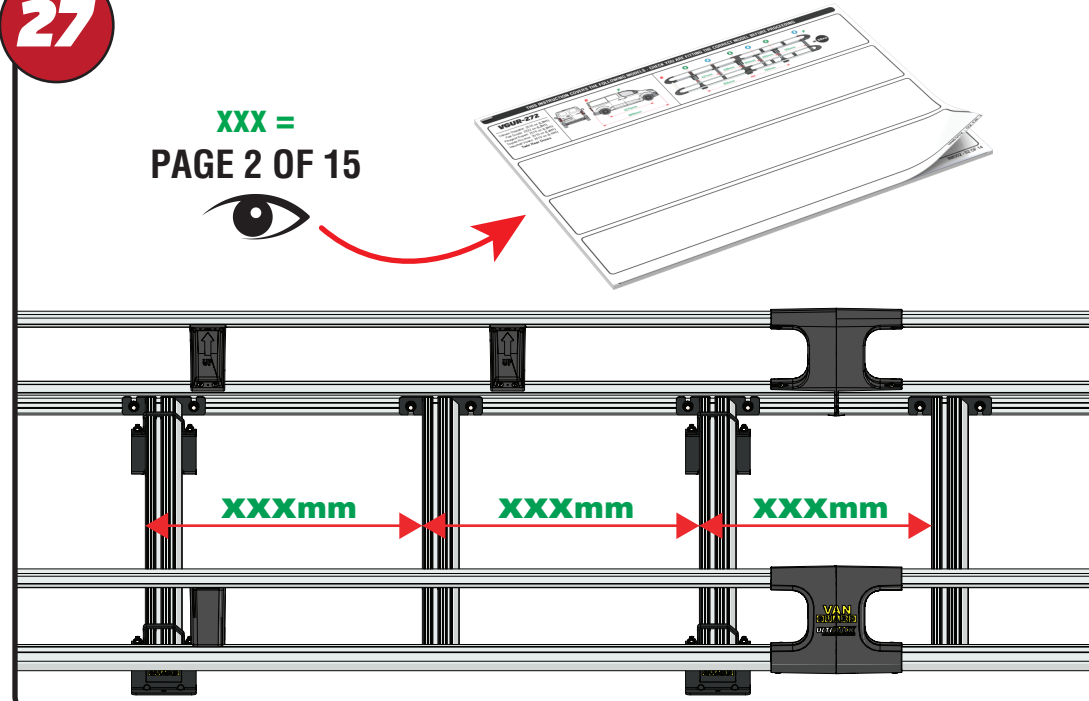
25

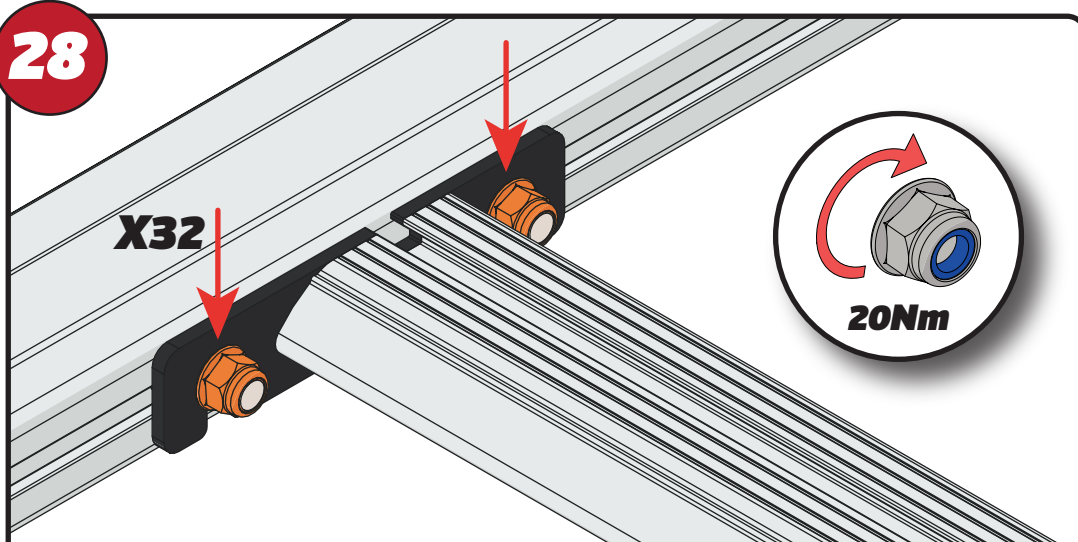


26



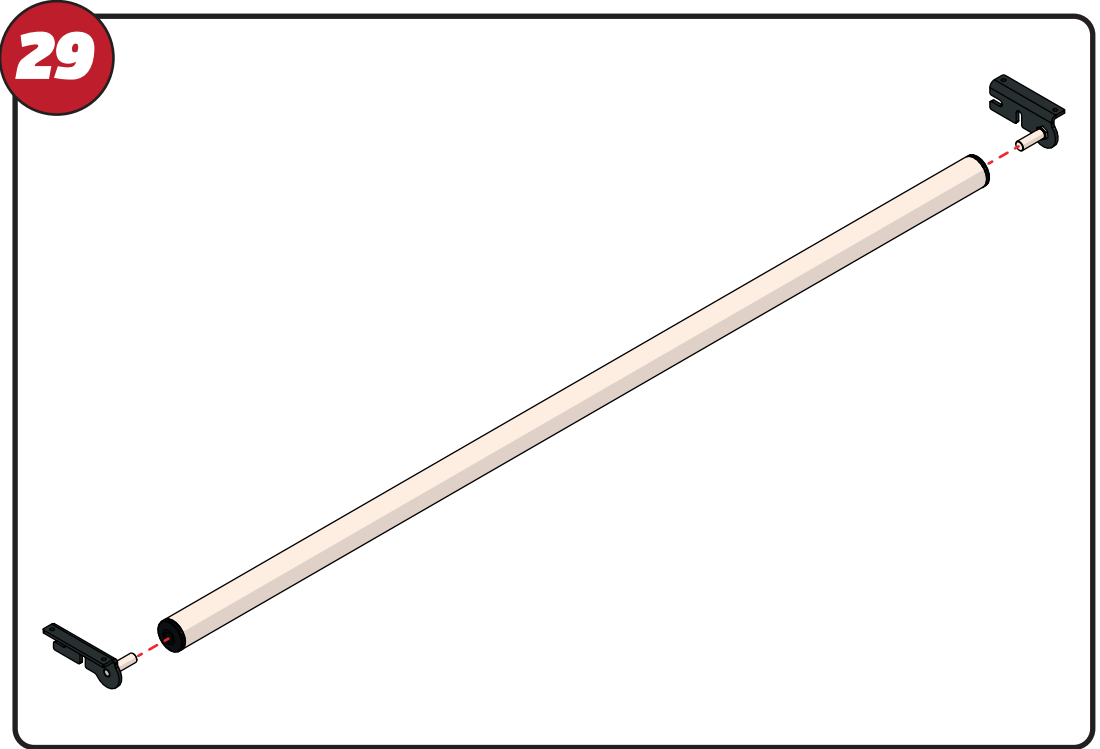
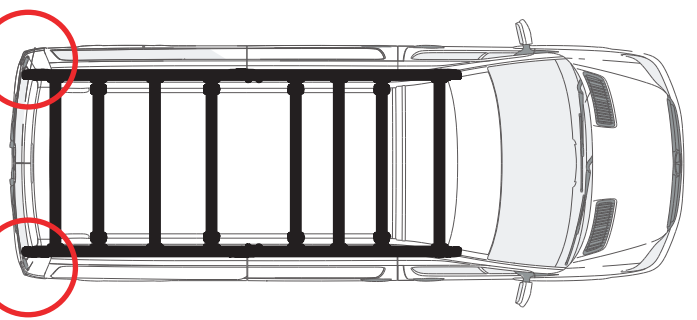
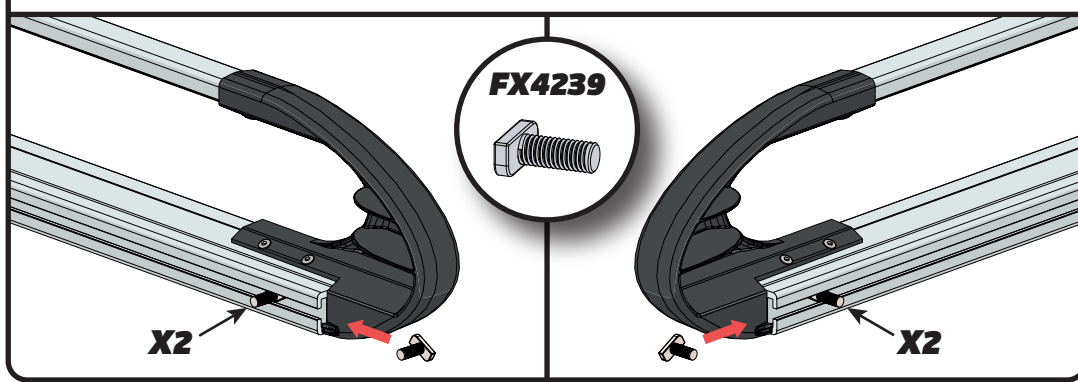
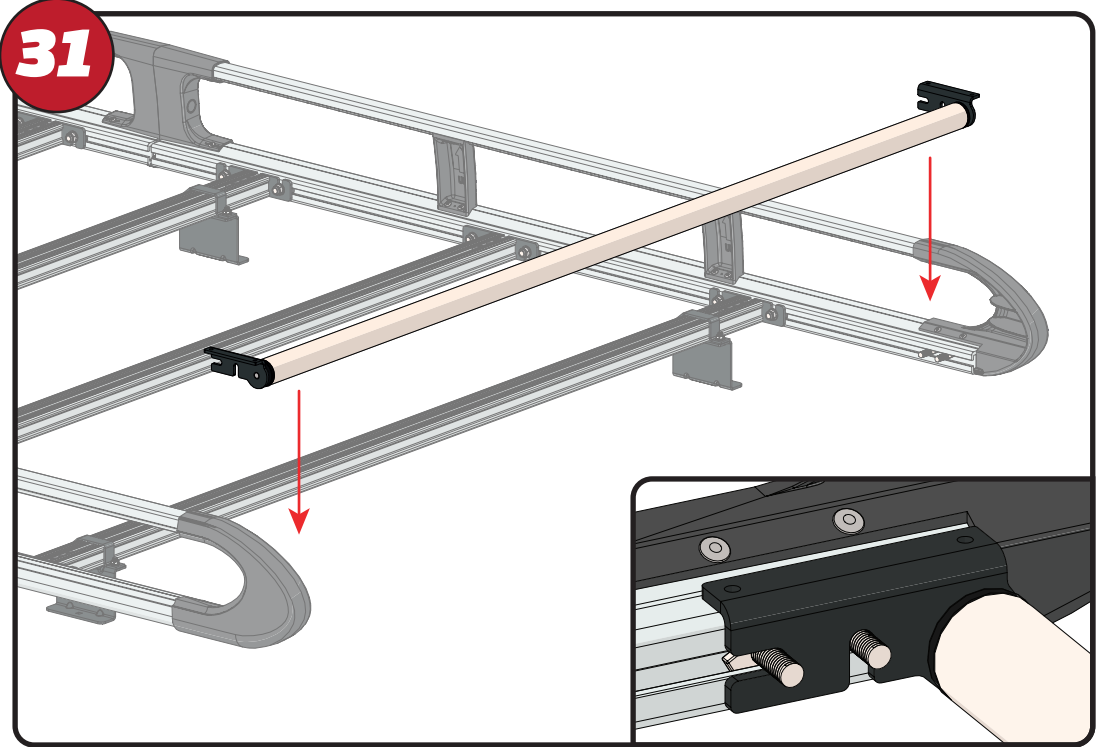
27



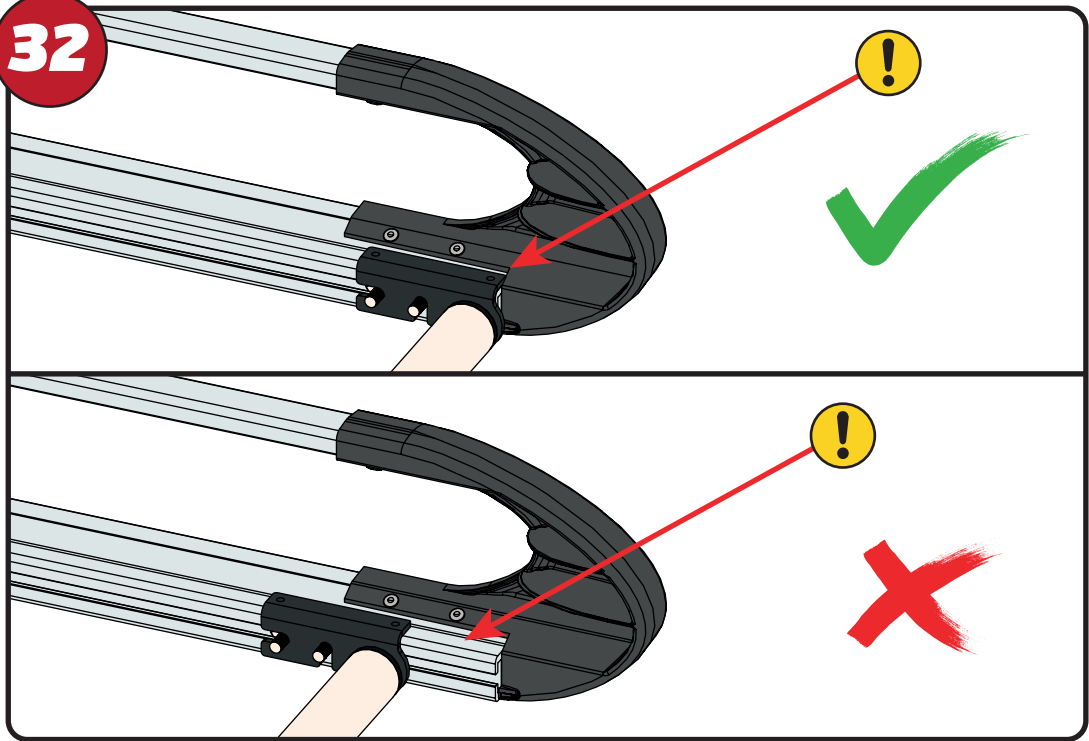
**28****X32****20Nm**

EN - TIGHTEN ALL OF THE CROSS BARS  
 DE - ALLE QUERSTANGEN FESTZIEHEN  
 FR - SERREZ TOUTES LES BARRES TRANSVERSALES  
 NL - DRAAI ALLE DWARSBALK VAN HET DAK AAN  
 ES - APRIETE TODAS LAS BARRAS TRANSVERSALES  
 IT - STRINGERE TUTTE LE BARRE TRASVERSALI

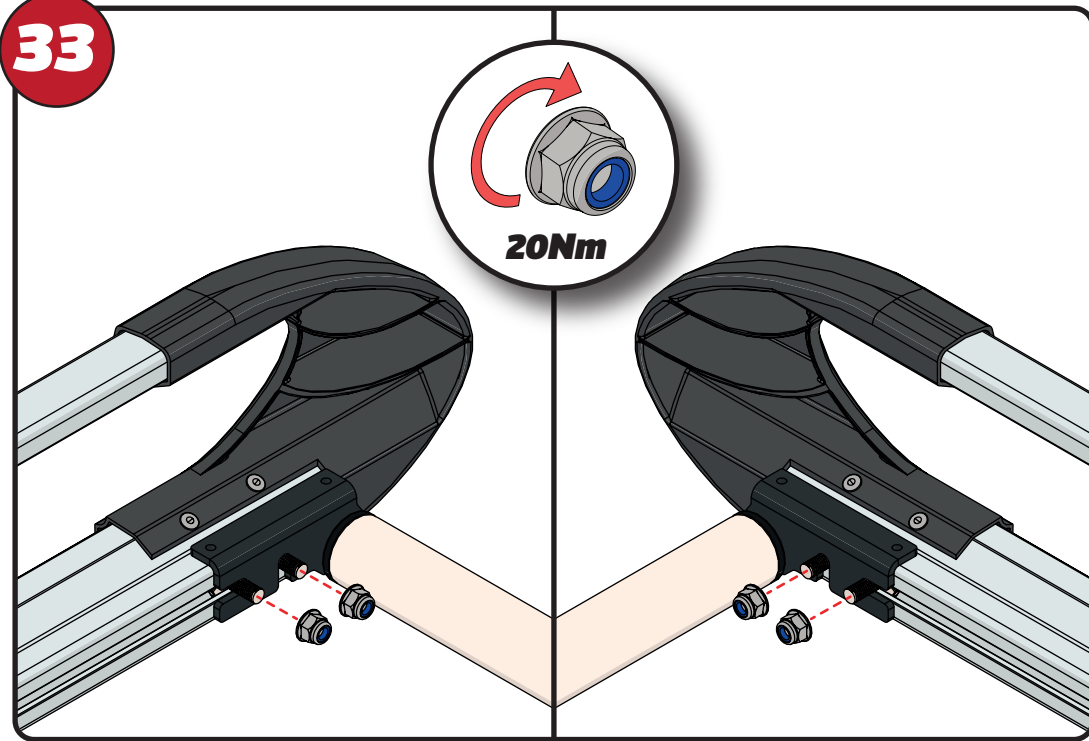
SV - SKRU UPP ALLA KORSSTANGAR  
 DA - SKRU ALLE TAGBØJLER OP  
 NO - SKRU OPP ALLE TVERRSTENGER  
 PL - DOKRĘCIĆ WSZYSTKIE POPRZECZKI  
 CS - VŠECHNY PŘÍČNÉ TYČE SEŠROUJTE

**29****30****FX4239****X2****X2****31**

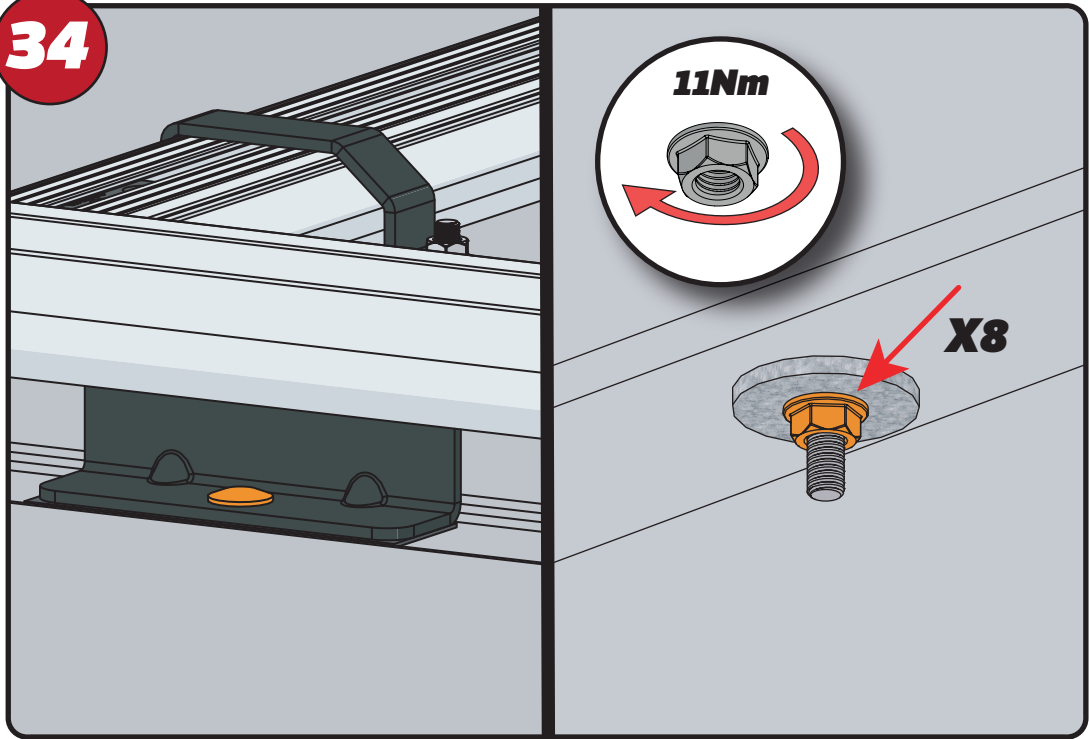
32



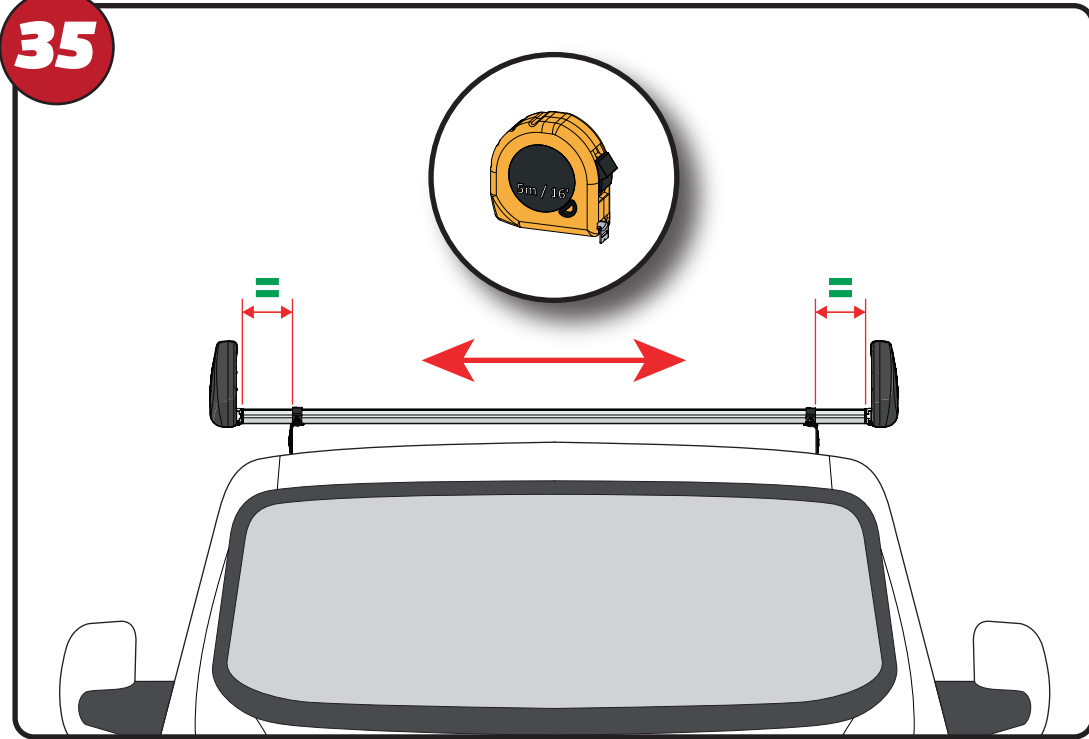
33



34

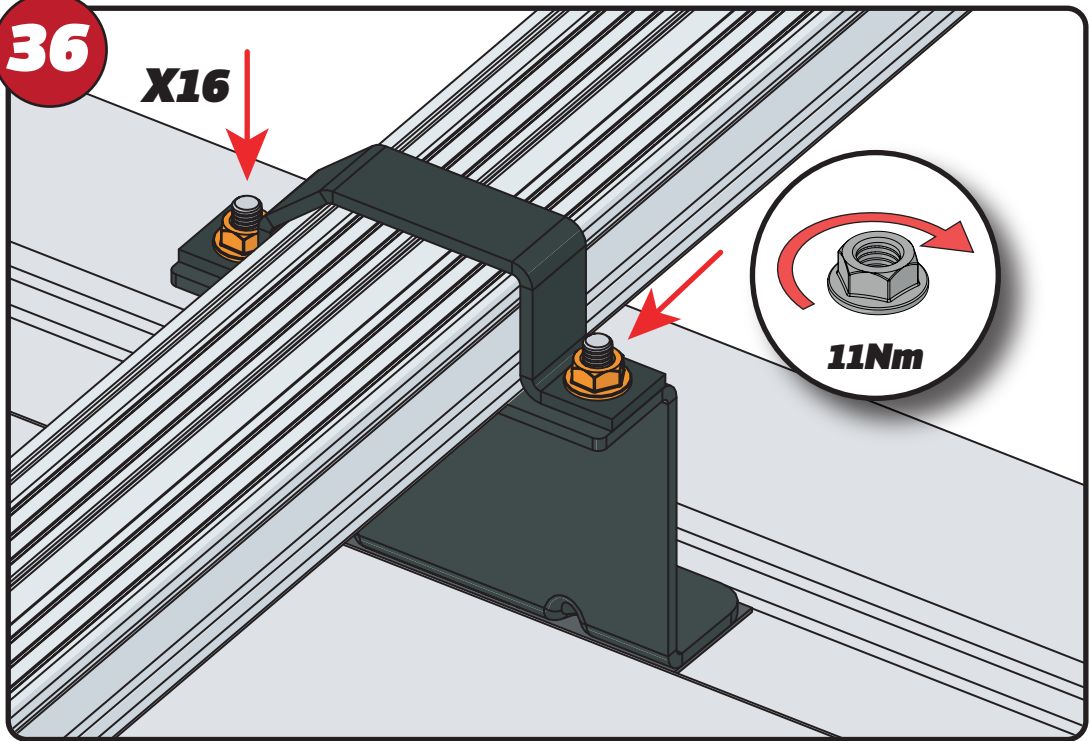


35



**36**

**X16**

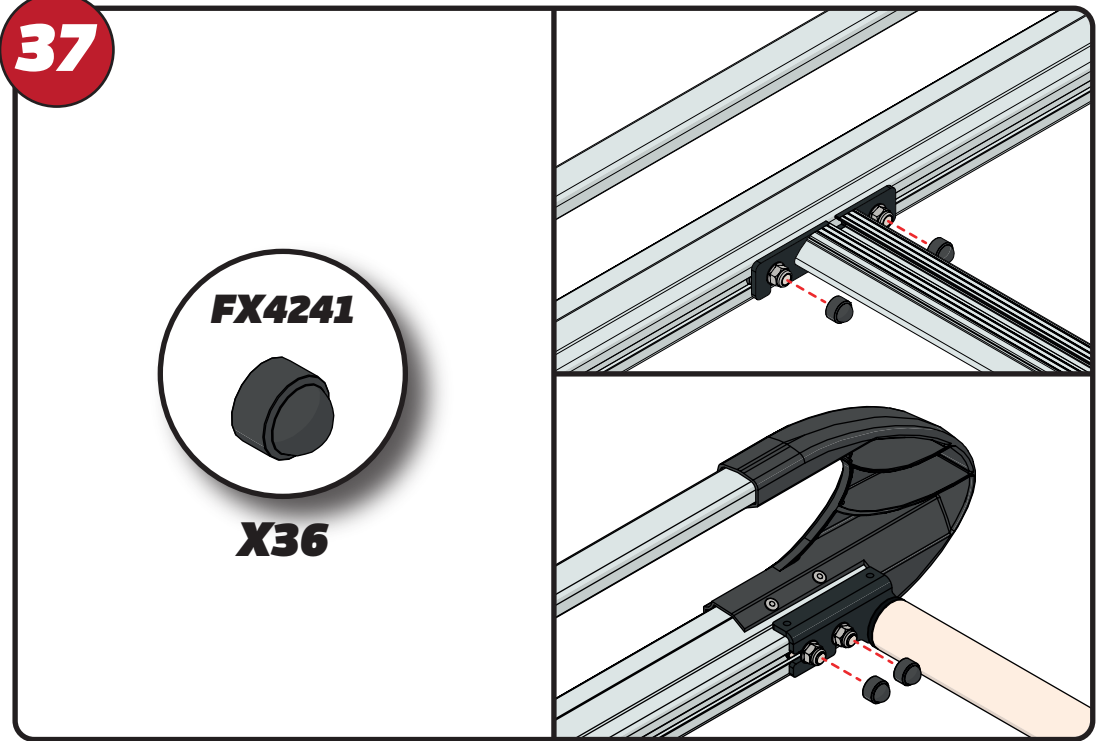


**37**

**FX4241**

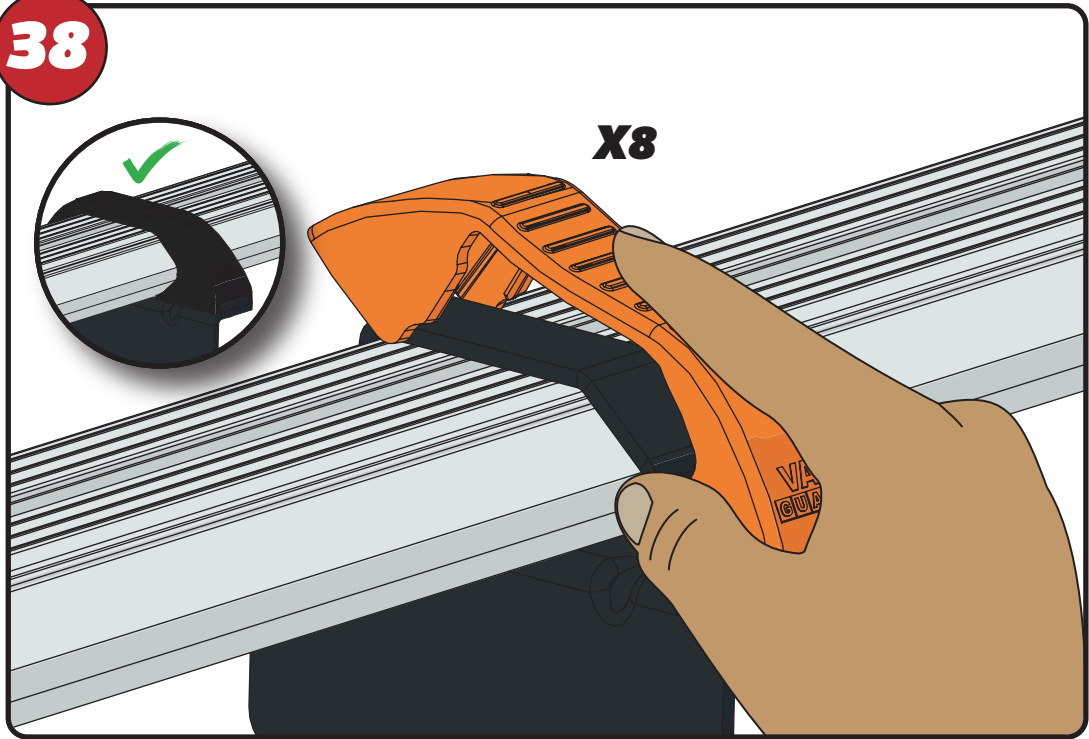


**X36**



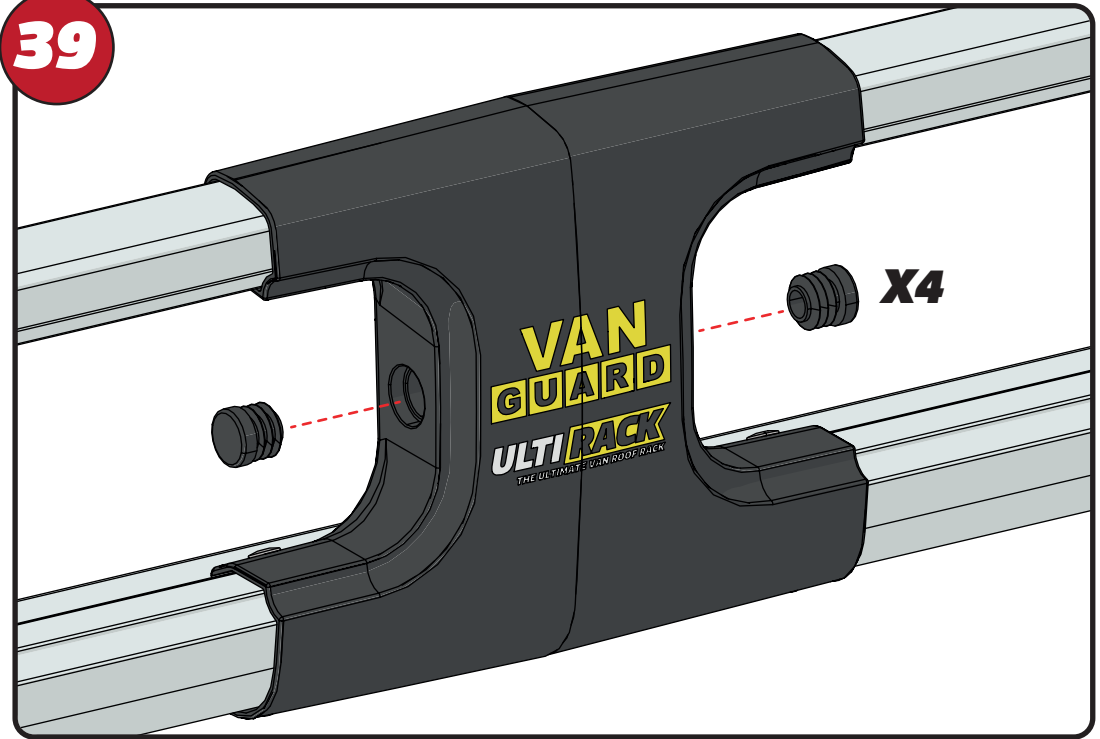
**38**

**X8**



**39**

**X4**



40

